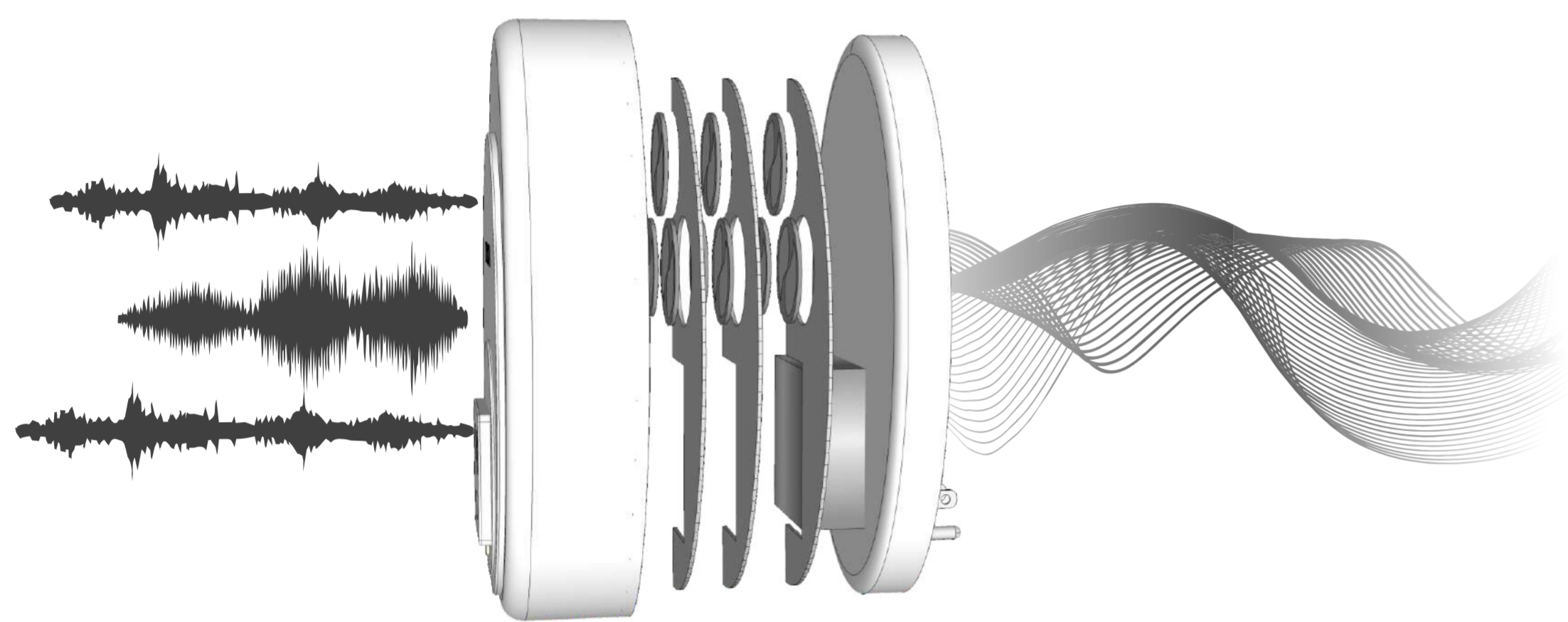


STROOM MASTER™

Protection from Dirty Electricity

AC Filter for Harmonics & Transients (Dirty electricity) / Multifrequency Filter Protection of RFR / ESD / LF Magnetic Flux

The **STROOM MASTER®** is a 2-in-1 solution for protection against dirty electricity and surrounding high-frequency radiation. It has an active filter that cleans the noise of harmonics and transients in the electrical lines; as well as a unique passive filter with the **SPIRO®** material for all radio frequency interferences entering the wiring. We recommend installing the **STROOM MASTER®** using an EMI meter to ensure the full reduction of interferences and the most efficient use of filters in a specific space.



Made for

Alternating Current (AC)

3G, 4G, LTE, 5G (Sub6) / WiFi 2.4, WiFi 5, Wifi 6 / Bluetooth 5



Features

- **AC Filter for Harmonics & Transients** (Dirty electricity).
- **Integrated 15-Amp surge protector.**
- **Built-in SPIRO® Technology** (Nanomagnetic Polarizing Filter).
- **Covers a broader frequency spectrum** (Up to 300 GHz).



Features

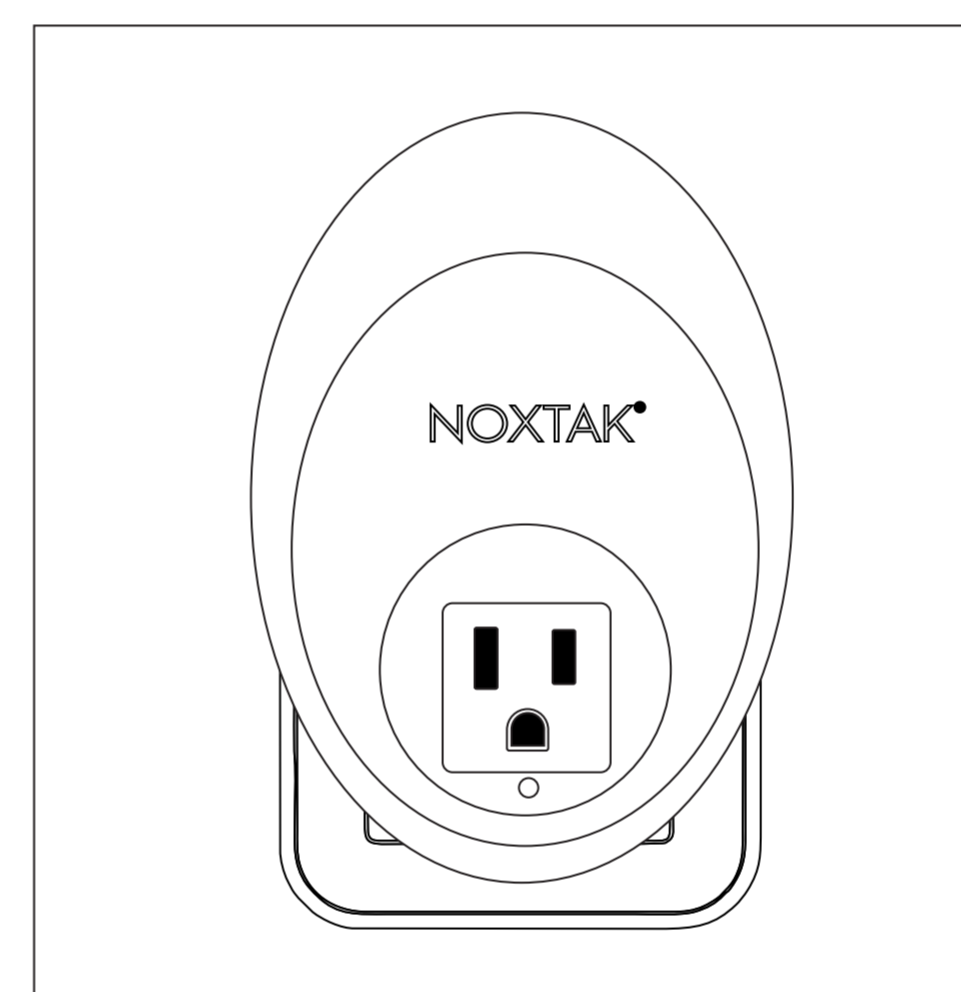
LED

3 YEARS WARRANTY

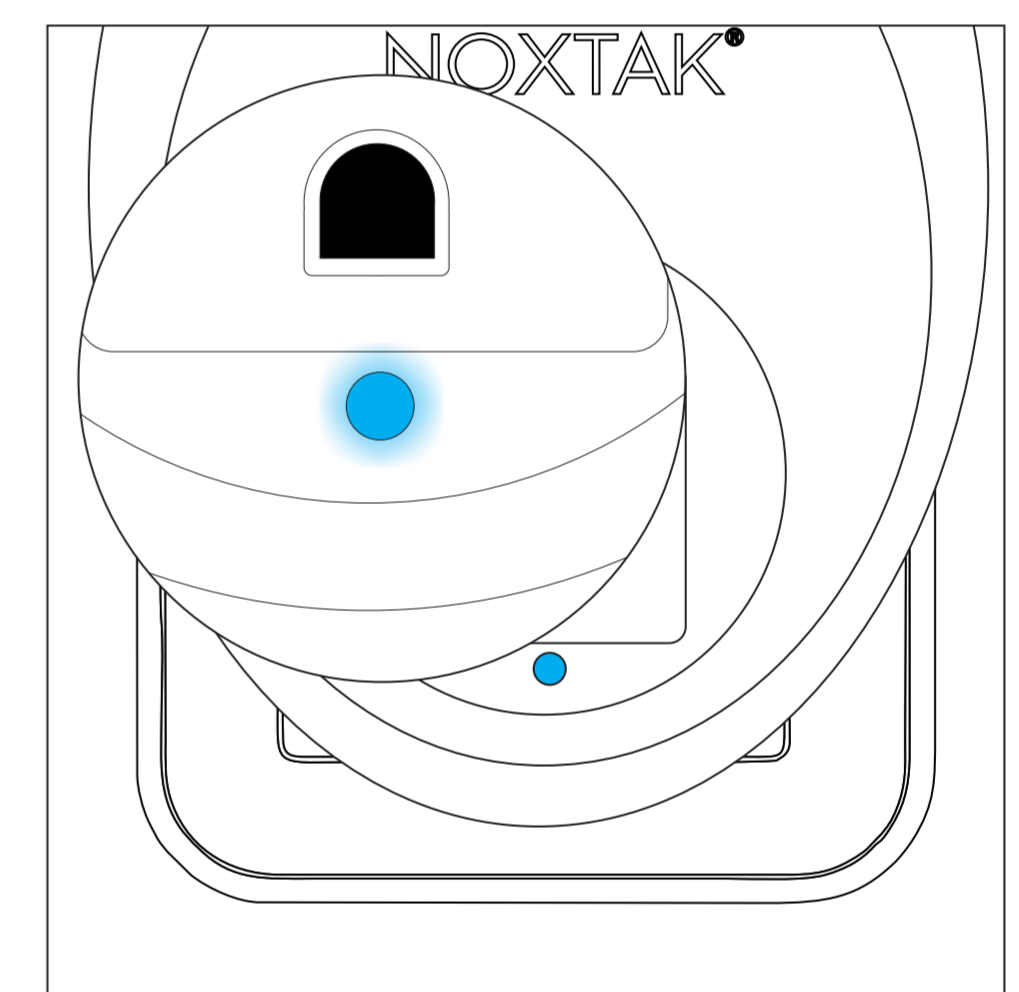
UL LISTED

- **Verifiable functionality** with a common EMI LINE METER.
- **LED on/off indicator.**
- **Damage-resistant housing.**
- **Plug-In Install.**
- **Built-In Outlet.**
- **3-year limited warranty.**
- **UL Quality** compliance certification.

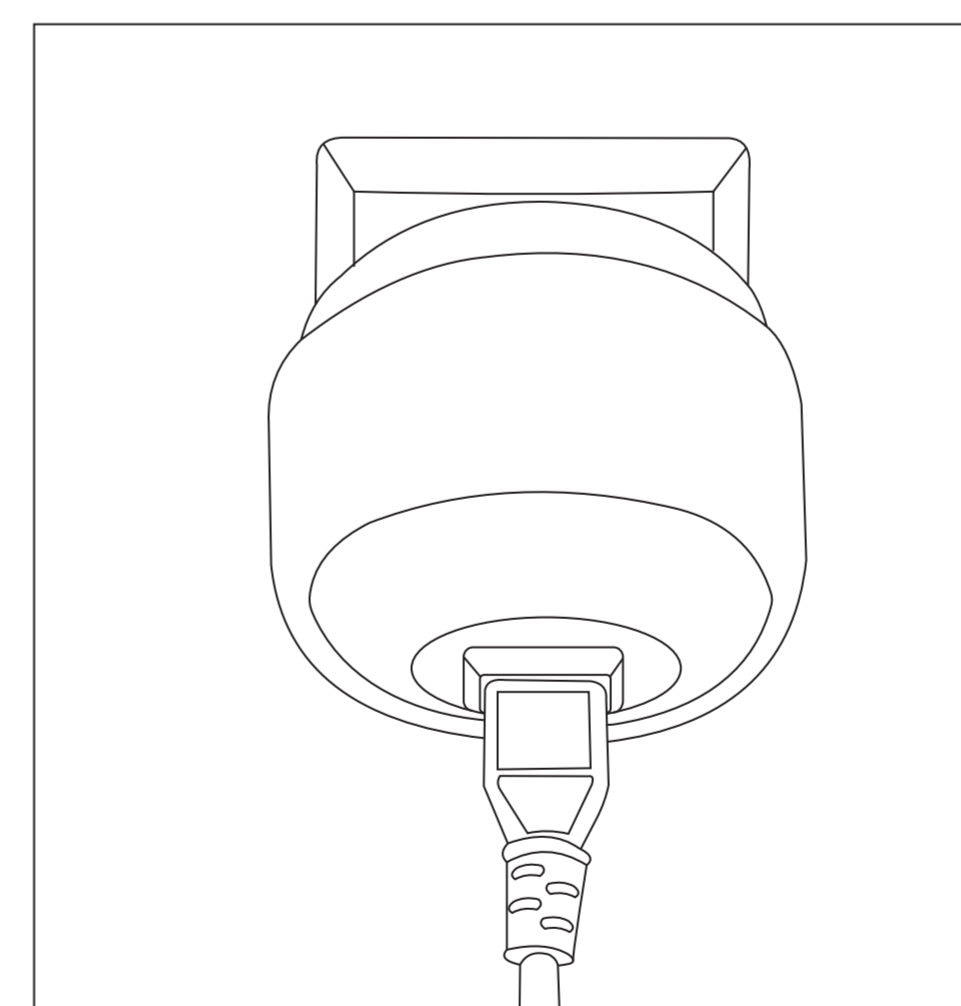
How to use it?



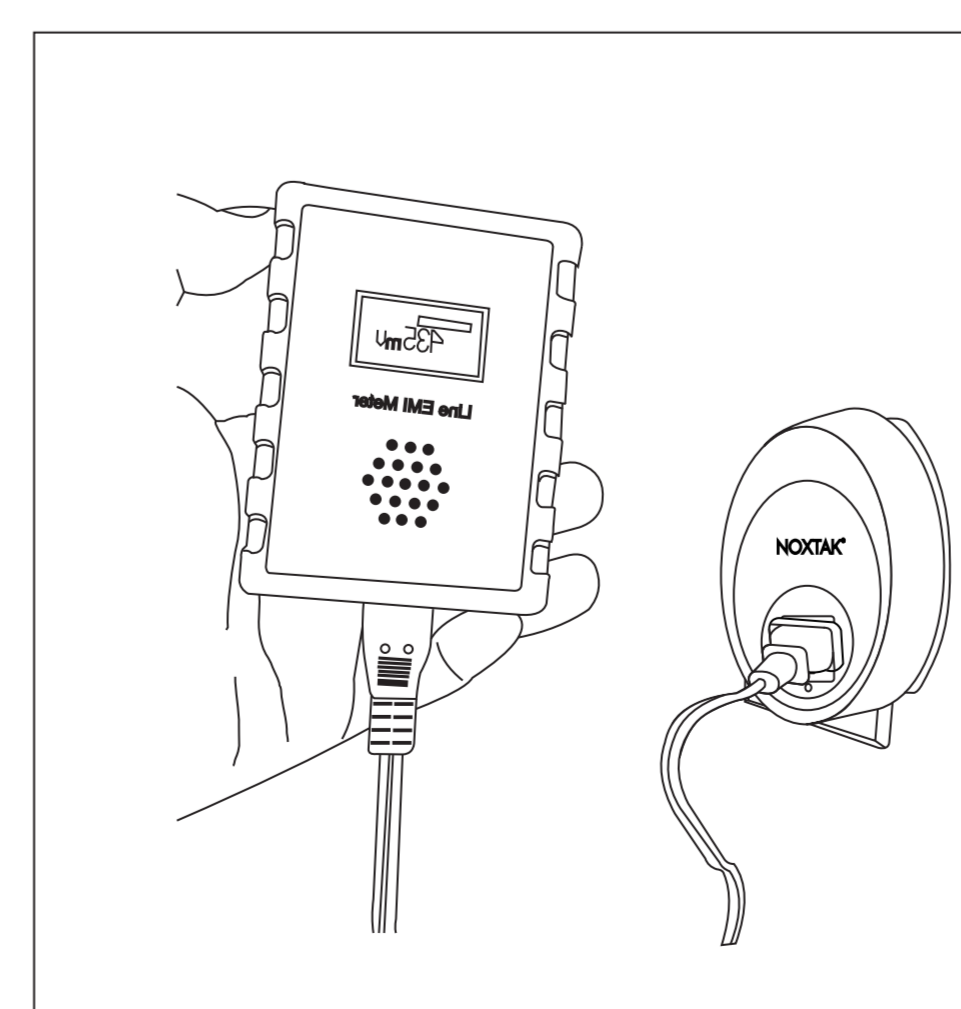
1. **Plug into an electrical outlet** or power strip.



2. **Check the blue indicator light on the front to verify that the device is on.** You can use the stickers inside the packaging to cover the light indicator and avoid unnecessary light at night.



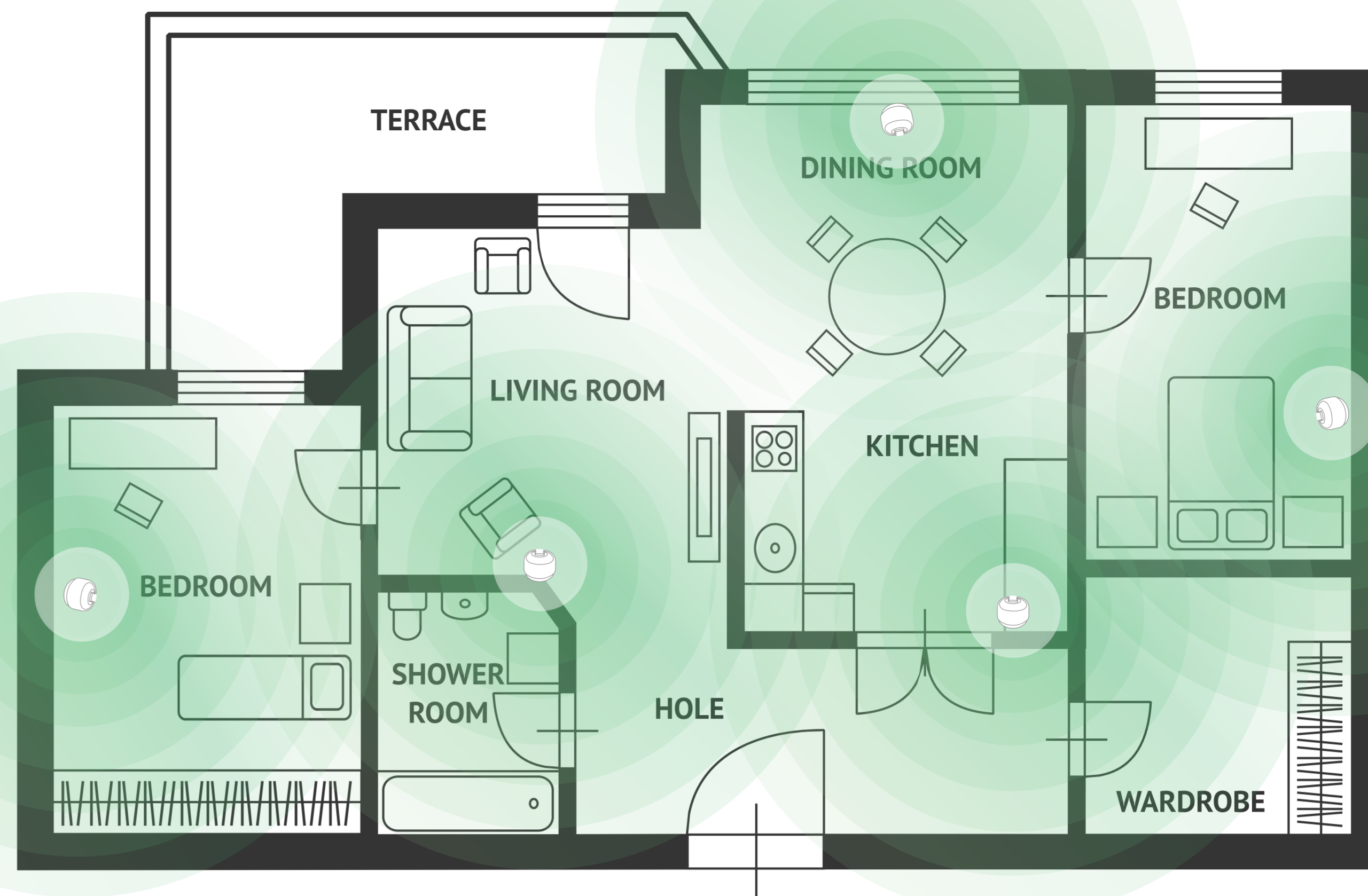
3. The **STROOM MASTER®** has a built-in electrical outlet that allows you to plug in any other device or appliance.



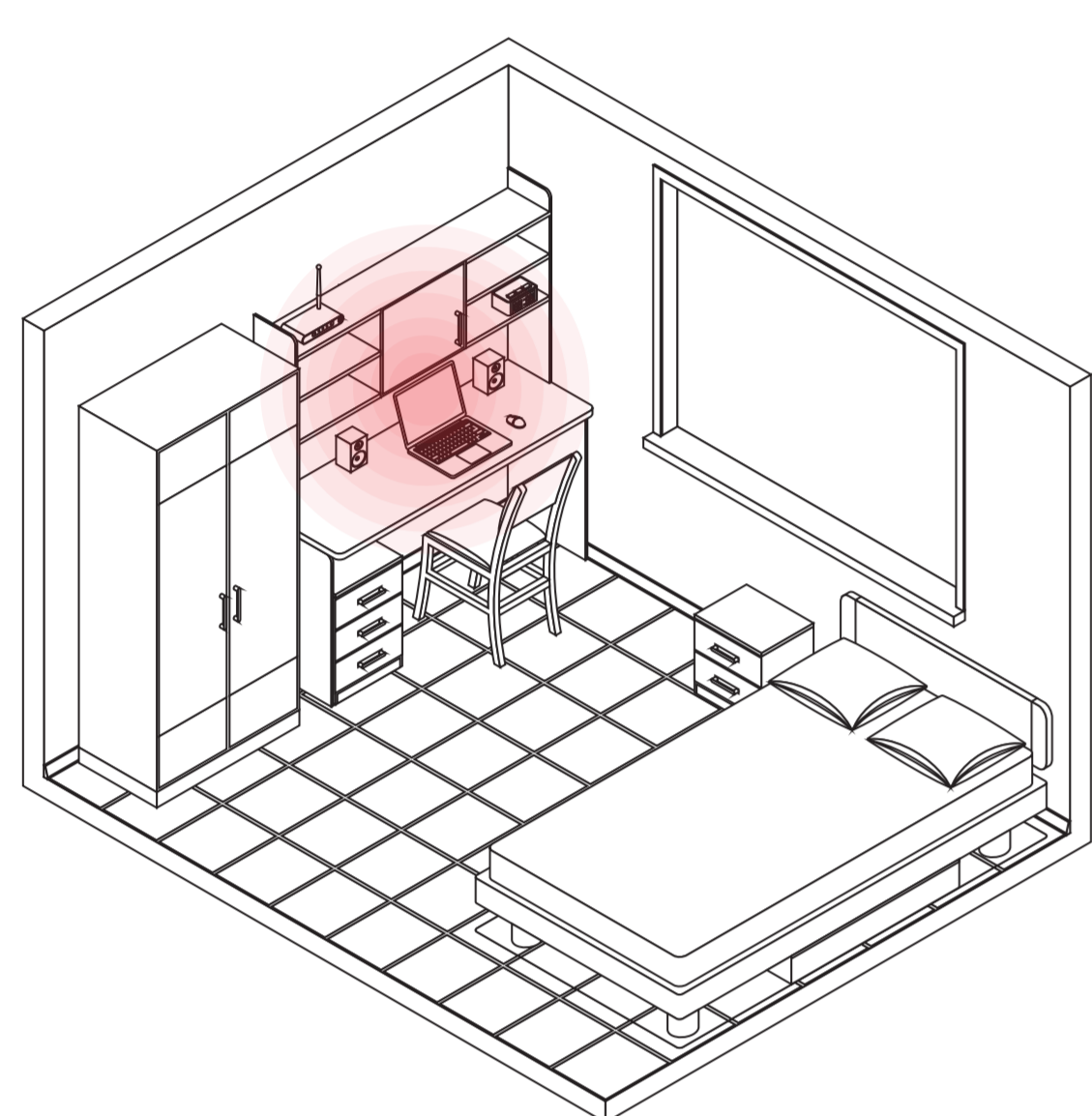
4. **Use an EMI meter** (electromagnetic interference meter, sold separately) to check before and after levels of dirty electricity. Recommended levels should be below 150 mV minimum, the ideal being below 100 mV.

For an average household or small office, you should use **1 STROOM MASTER®** every 194 sq ft. For example, a house with a 970 sq ft area should have 5 STROOM MASTER® filters installed.

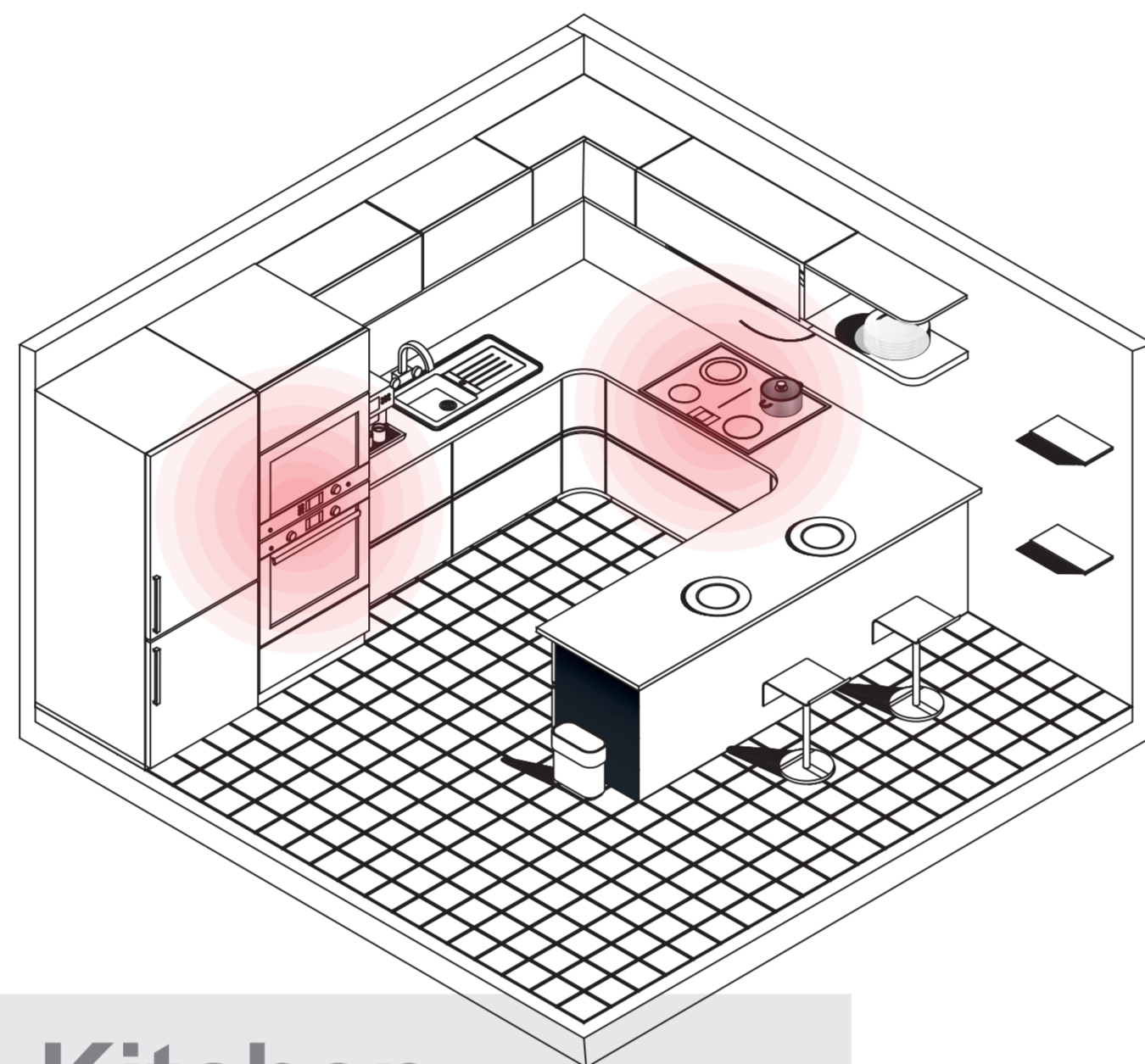
Ideally, install one **STROOM MASTER®** in each room (Kitchen, Family Room, Living Room, Home Office, Bedroom, etc.). Make sure you install where your main EMF sources are located (Wi-Fi router, microwave oven, etc.)



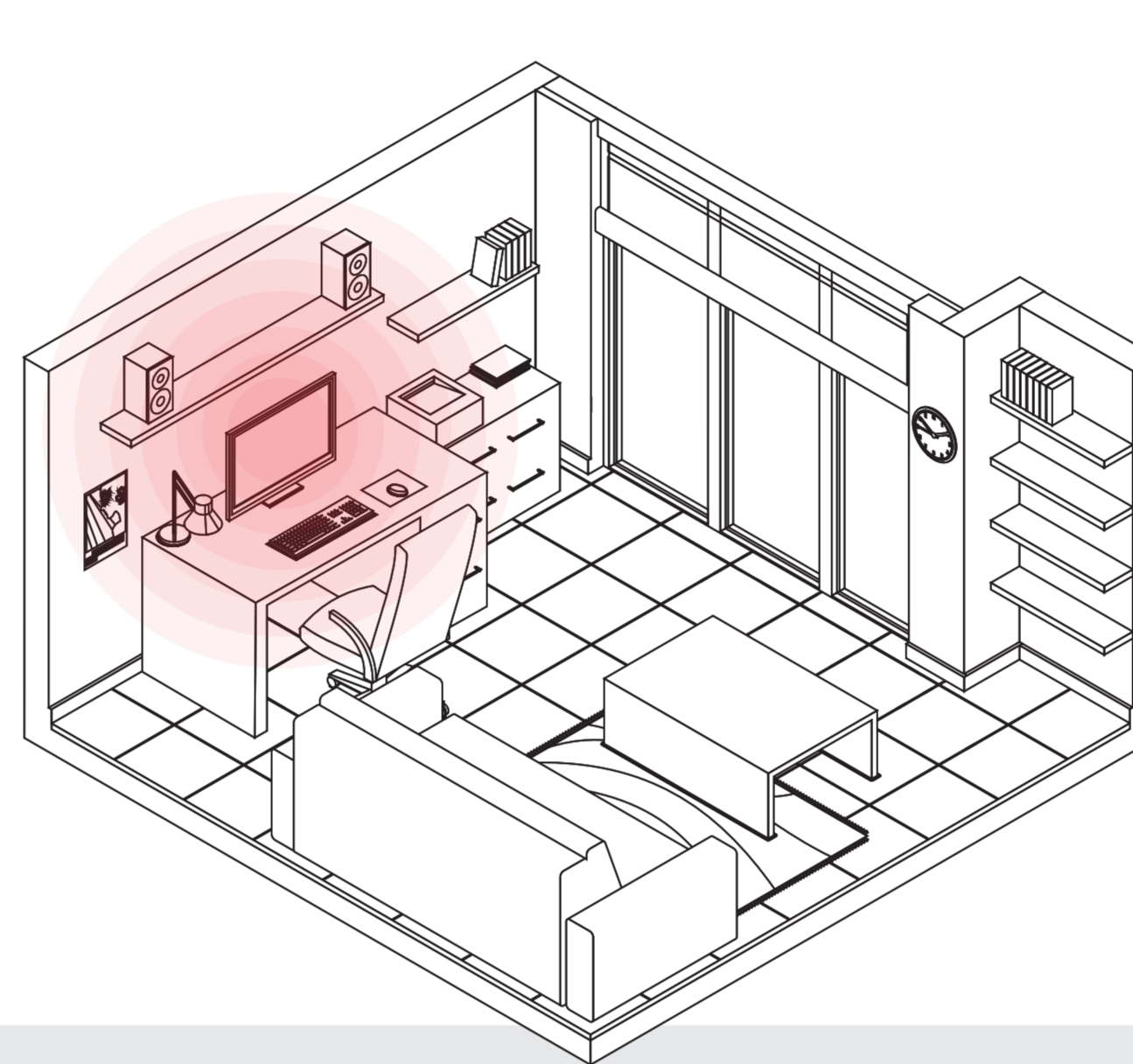
House 970 sq ft



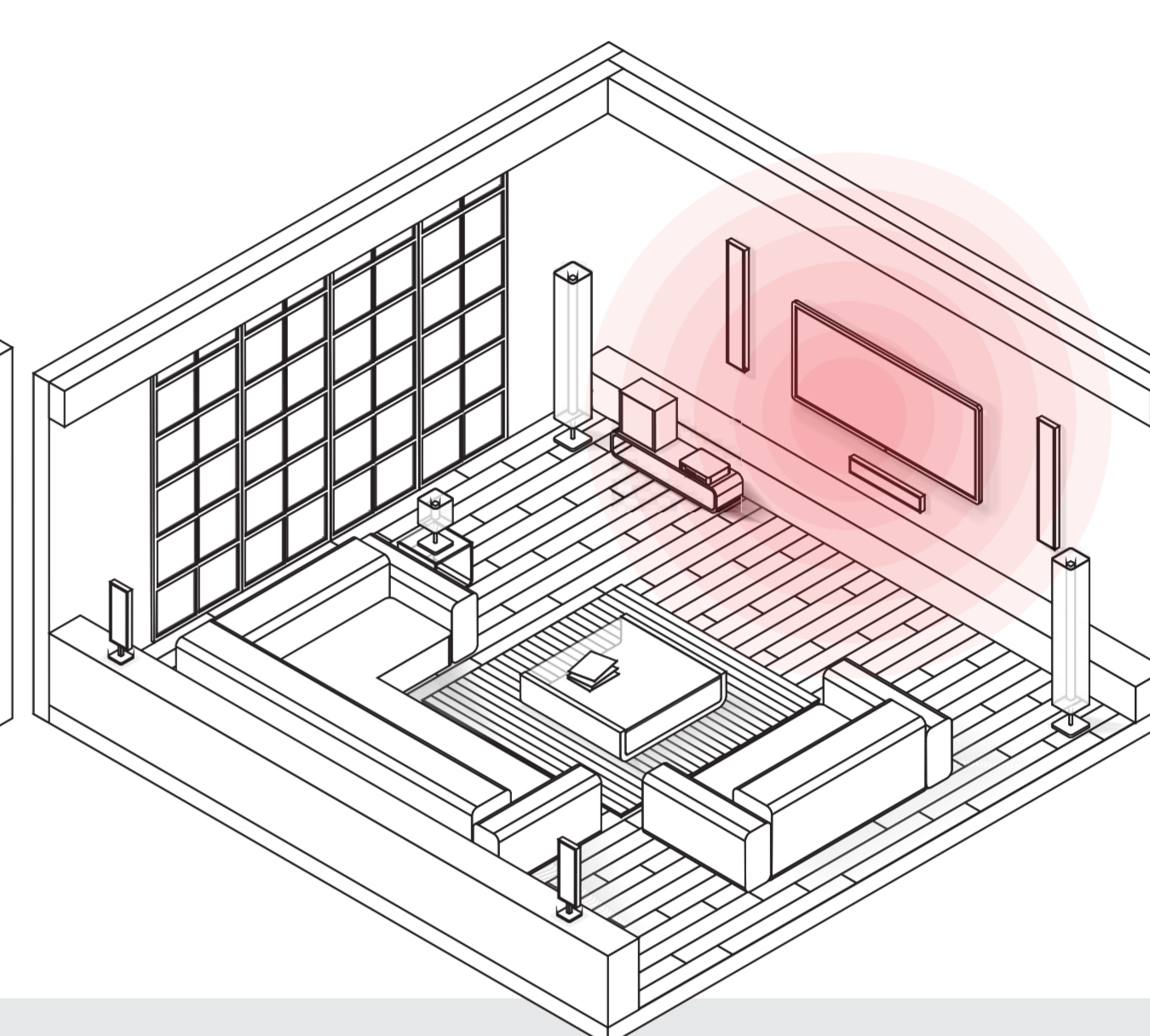
Bedroom



Kitchen



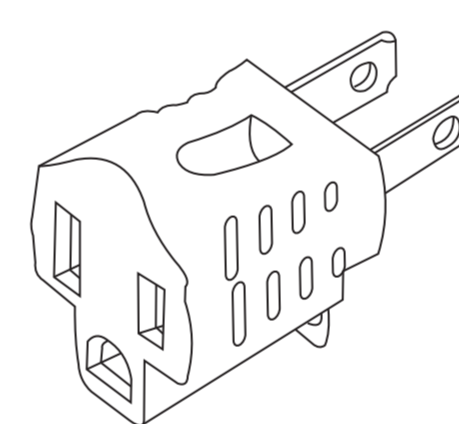
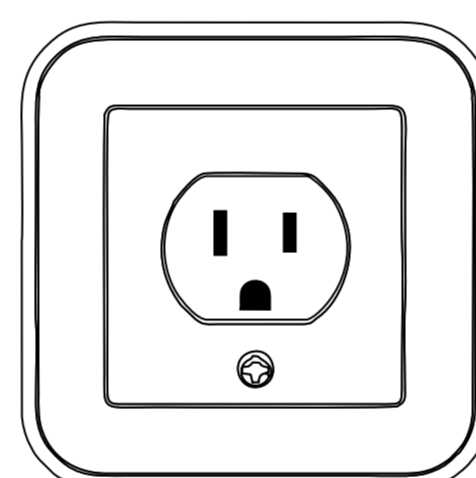
Home Office



Living Room

Connectivity Requirements

- **Plug & Play**
- Any Type **B Outlet**
- Can use **adapters** for different types of outlets



For support, email support@noxtak.com

For more information about the product, visit www.spirosolution.com

For more information about the technology, visit www.noxtak.com

